

# Tre B - Super Tre

AV EVO



---

# CARPIGIANI SOFT SERVE CONSULTING

---

**CARPIGIANI SOFT SERVE CONSULTING** consultants can help you transform your idea into a successful business!



Taste  
the Evolution





## PERFORMANCE AND QUALITY

Produce Soft Serve Gelato, Ice Creams, Sorbets and Frozen Yogurt. Thanks to the EVO technology, it is possible to simultaneously mix products of different consistencies.



### Creamy Soft Serve Gelato

Thanks to the H-O-T system and to the type of feed (gravity or pump) it is possible to set the desired consistency for creamy ice creams, from a delicate Vanilla to a robust chocolate.



### Soft Serve Sorbets

Choose the desired consistency of the Serve Sorbets to create robust flavors with lots of fiber or classic lemon sorbet. Thanks to the H-O-T system and to the type of feed system used (gravity or pump).



### Frozen Yogurt

Choose the desired consistency of the Frozen Yogurt, to produce a classic frozen yogurt or a unique soft serve gelato yogurt. Thanks to the H-O-T system and to the type of feed system used (gravity or pump).



### Custom shape Gelato



### Soft Serve Core Production

Legend:  Optional ONLY upon purchase  Optional available even after purchase



## PERFORMANCE AND QUALITY



**Optional Star Door.** Allows the use of the new nozzles and the single-portion kit.



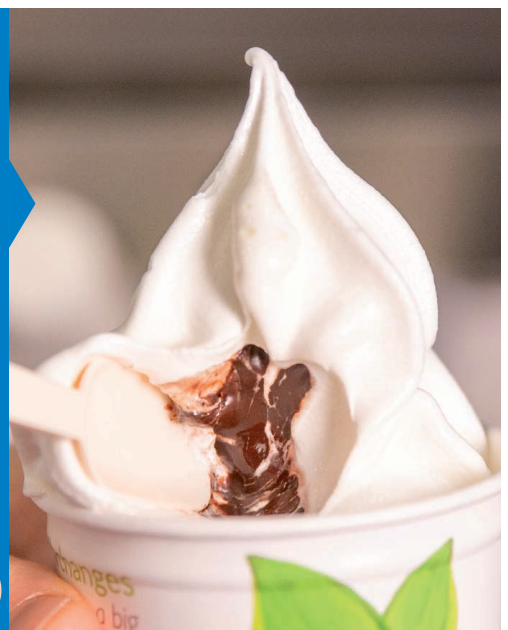
**Optional Monoportion kit.** Kit of nozzles suitable for filling small cups, cannoli's and other frozen dessert monoportions.



**Optional Nozzles.** Create a unique Soft Serve style by choosing and customizing the shape.



**Optional Soft Serve Core\* (for Super Tre AV EVO models).** Peristaltic pump system to inject the syrup directly into the soft serve during dispensing. The cabinet for the syrup housing is integrated under the machine, which can be completely disassembled for complete cleaning.  
\*1 syrup or 2 syrup versions available.





## PERFORMANCE AND QUALITY

### Hard-O-Tronic®

The electronic control system that allows you to change the consistency of the Soft Serve in a simple and fast way.



**The innovative EVO technology** guarantees versatility and flexibility with excellent production results. The innovative refrigeration system guarantees perfect freezing of the soft serve even if the blends used in the two cylinders are different from each other.



**Direct expansion cylinder.** Optimizes the refrigeration process, speeding up freezing times and eliminating energy waste. Pre-loading operation is simple and safe, thanks to the new position of the feed hole.



Legend:  Optional ONLY upon purchase  Optional available even after purchase



## PERFORMANCE AND QUALITY

### Choice of **MIX FEEDING SYSTEM**

**Pump - Version P.** Ideal for creating dry and compact Soft Serve. Pressurized steel pump with advanced thermoplastic polymer gears. Thanks to the holes in the pump regulator, it is possible to obtain 40-80% overrun. It is possible to adjust the overrun even when the tank is full!



**Gravity - Version G.** Ideal for a dry and compact Soft Serve able to contain a high amount of fibers or small fruit pieces with an overrun of up to 40%. The different diameters of the holes on the feeding needle naturally dose the mixture with air. Thanks to the repeated holes both on the lower part and on the upper part of the overrun adjuster, it is possible to adjust the overrun even when the tank is full!



### **BEATER** (Only for Tre B AV EVO)

**2E-RSI High Efficiency Agitator (only for Tre B AV EVO).** Stainless steel structure with plastic scrapers and removable shaft for a creamy Soft Serve.



### **BEATER** Choice (Only for Super Tre AV EVO)

**High Efficiency POM Agitator (only for G version).** Single piece beater, for a dry and compact ice cream. Ideal for yogurt mixes.



**3X High Efficiency Agitator (only for P version).** Interchangeable plastic scrapers for a creamy soft serve.



Legend:  Optional ONLY upon purchase  Optional available even after purchase

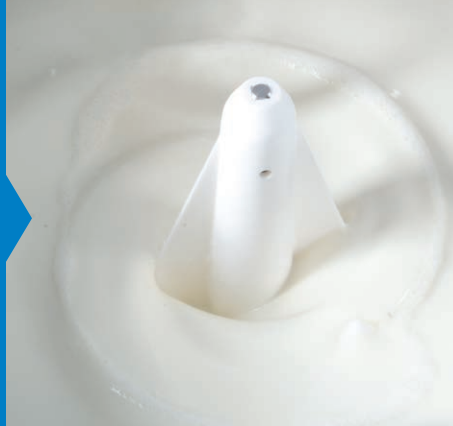


## CONVENIENCE

New solutions for maximum **convenience** during use

### Tank agitator

Prevents stratification during storage and improves heat exchange during pasteurization.



Scan the **QR Code** on the front of the machine to access the most up to date equipment information: Instruction Manual, Carpi Care kit & Carpi Clean kit.

### Optional Self Closing.

Automatic lever closing system is easy to assemble & disassemble. The taps are equipped with an automatic closing system to stop the flow of product being dispensed, eliminating any waste.



### Adjustable dispensing speed

Adjustable delivery flow to meet different volume and speed needs.



### Optional Dry Filling system (Super Tre AV EVO models only).

Automatic dry filling system in the tanks, to mix the powders directly in the tank, saving time and reducing the possibility of dosing errors.







## SAVINGS

New **high-performance** electric gearmotors and condensers

**Minimum mixture residue in the tank** (0.2 liters). Only for Super Tre AV EVO models - Waste of mixture is minimal. Hopper design leaves minimal product residue.

### Choice of **COOLING**

#### **Water-cooled machine.**

The refrigeration system is cooled thanks to the inlet and outlet water circuit accessible at the rear of the machine.

**Air-cooled machine.** Super Tre AV EVO - Thanks to the rear chimney it is possible to optimize the installation space and to place the machines side by side. Tre B AV EVO - For this type of condenser more installation space is required.



## SAFETY

**More operational safety** and **more control** during production



**Ergonomic design.** Reduced risk of injury, with corners even rounder where the operator works.

#### **Black-out and water outage**

After a power or water failure, if the temperature-time parameters guarantee that the mixture has not undergone any alteration, the machine resumes the program in progress. Otherwise, if the machine is self-pasteurizing, a pasteurization cycle is automatically started, warning the operator with a message on the display. In the case of the non self-pasteurizing version, the machine requires washing.



#### **Optional Teorema**

Guarantees facilitated assistance by providing on-line monitoring and diagnosis on a tablet, phone or PC wherever you are.



#### **Button lock**

For added security, the display buttons can be locked to prevent accidental errors.

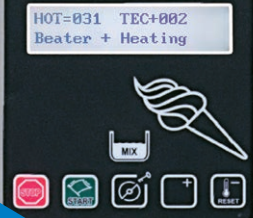




# HYGIENE

Easy cleaning,  
**guaranteed hygiene**

**Scheduled start.** Set the pasteurization, storage programs to automatically run at a convenient time for you, such as overnight and be fully functional the next day.

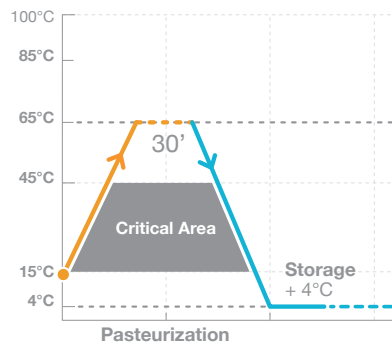


## Multifunctional Cleaning Button.

Possibility to activate or deactivate the pump and the agitator individually or together according to cleaning needs. One of the functions is hot cleaning. By simultaneously activating the beater and the heating of the cylinder surface, the production grease residues are quickly dissolved.

## Optional Wash kit

Water Tap is added over the tank to facilitate cleaning.



## Optional Only for Super Tre AV EVO.

With the automatic **self-pasteurization** system you can choose when to wash the machine up to a maximum interval of 42 days. As a further guarantee of hygienic safety, if the operator does not perform the complete cleaning at the end of the set days, the machine goes into automatic block.



**Removable pump shaft.** Simplifies cleaning procedures and guarantees maximum hygiene and reliability.

## Carpi Care kit



Custom kits, designed to always keep your machine hygienically perfect.

## Carpi Clean kit



**Ergonomic lid (Tre AV EVO).** Ergonomic transparent tub lid for easy inspection of the tub.

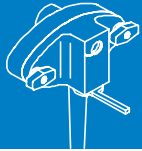
**Rubber tank lid (Super Tre AV EVO).** The lid can be opened to allow tank filling without having to remove it.



# MACHINE CONFIGURATION

## TANK CONFIGURATION

### CHOOSE THE PRODUCT FEED SYSTEM



**Pump**

Optional



**Gravity**

Only for Super Tre AV EVO

Optional Only for Super Tre AV EVO



**Wash kit**



**Dry Filling System**

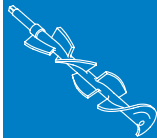
## BEATER & DOOR CONFIGURATION

### CHOOSE THE TYPE OF BEATER



**2E-RSI**

**Beater** only for  
pump models of  
TRE B AV EVO



**POM**

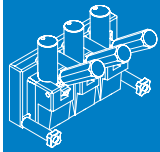
**Beater** only for  
gravity models of  
Super Tre AV EVO



**3X**

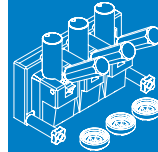
**Beater** only for  
pump models of  
Super Tre AV EVO

### CHOOSE DOOR TYPE



**Standard Door**

Optional



**Star Door**

Optional



**Nozzles**

Optional



**Self Closing Door**



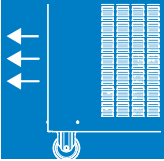
**Monoportion kit**

Legend:  Optional ONLY upon purchase  Optional available even after purchase

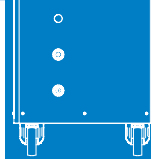
# MACHINE CONFIGURATION

## TECHNICAL CONFIGURATION

### CHOOSE THE TYPE OF CONDENSATION TRE B AV EVO

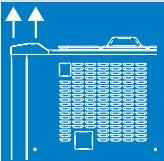


**Air Cooled machine**

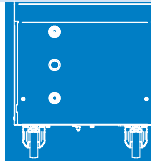


**Water Cooled machine**

### CHOOSE THE TYPE OF CONDENSATION SUPER TRE AV EVO

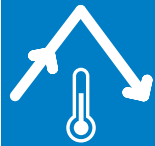


**Air Cooled machine**



**Water Cooled machine**

Optional only for Super Tre AV EVO models



**Self-Pasteurization**

### CHOOSE THE TYPE OF POWER SUPPLY



**Power supply  
Single-phase / Three-phase**

## ACCESSORIES CONFIGURATION

Optional. Available for Super Tre AV EVO models



**Soft Serve Core  
Lower Cabinet  
Integrated**

Optional



**Teorema**

## WHO WE ARE

**Carpigiani Services.** Always by your side! The extensive Carpigiani service network is at your disposal with a widespread assistance network that guarantees a wide coverage of the territory with over 480 authorized service centers and 1500 specialized technicians around the world, for over 70 years guaranteeing a widespread, global presence. Carpigiani Services ensures rapid and professional assistance.



## WHAT WE OFFER

**Original spare parts.** Carpigiani original spare parts, manufactured in compliance with national and international food safety regulations, ensure the durability of the components and extend the life of the machine. They are the only ones able to guarantee efficiency and safety. Carpigiani original spare parts are guaranteed for 1 year.



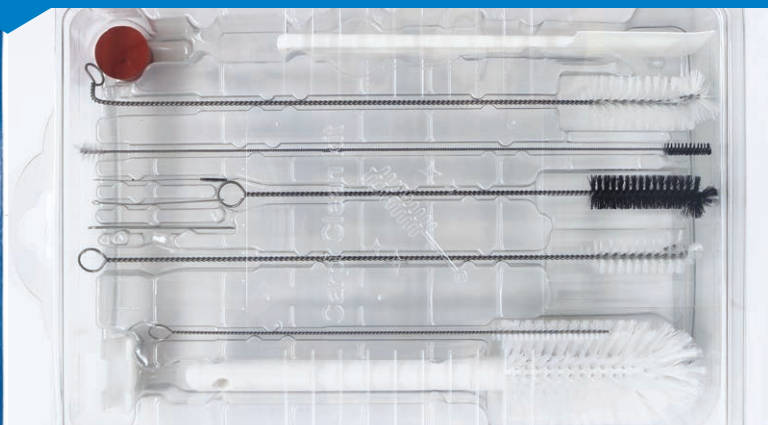
### Carpi Care kit



6  
MONTHS

Periodically ask your dealer **Carpi Care kit and Carpi Clean kit.** Dedicated kit of gaskets and brushes to keep each machine hygienic & clean.

### Carpi Clean kit



## WHAT WE OFFER

**Specialized technicians.** Carpigiani technicians are professionals who are always up-to-date thanks to solid and constant training courses that guarantee high levels of competence for any inspection, maintenance, cleaning and repair intervention.



**Preventive maintenance.** Thanks to periodic checks, entrusted to certified technicians, the machine can always work in optimal conditions, preventing any downtime.

**Extended Warranty.** Operate machine in complete tranquility, thanks to the Carpigiani extended warranty. In case of needs, in fact, Carpigiani technicians are able to restore machine operation with original spare parts.



**Scheduled Cleaning.** Possibility of entrusting the periodic cleaning of the machine to expert technicians.

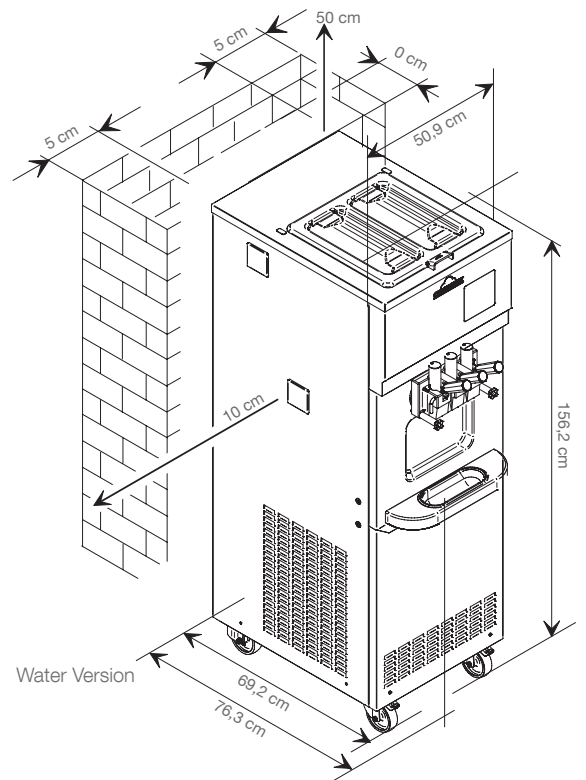
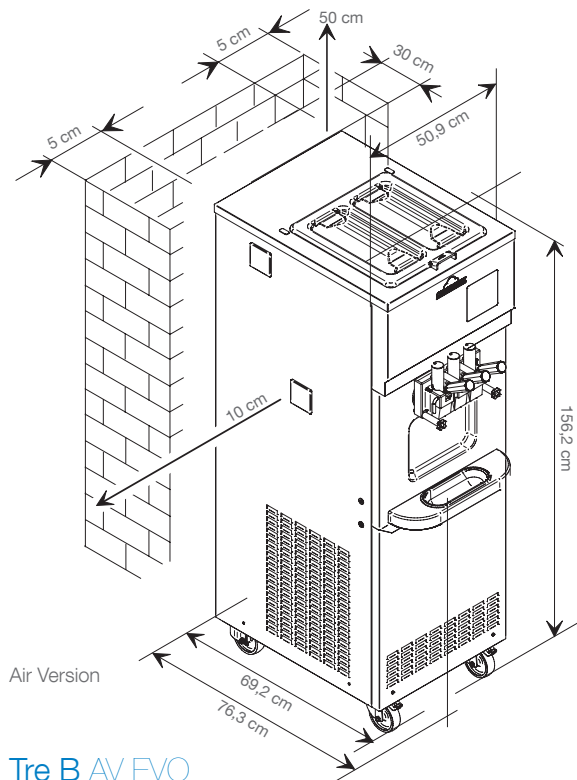


**Teorema.** Teorema Remote Control and diagnosis system for remote monitoring of machine operation.

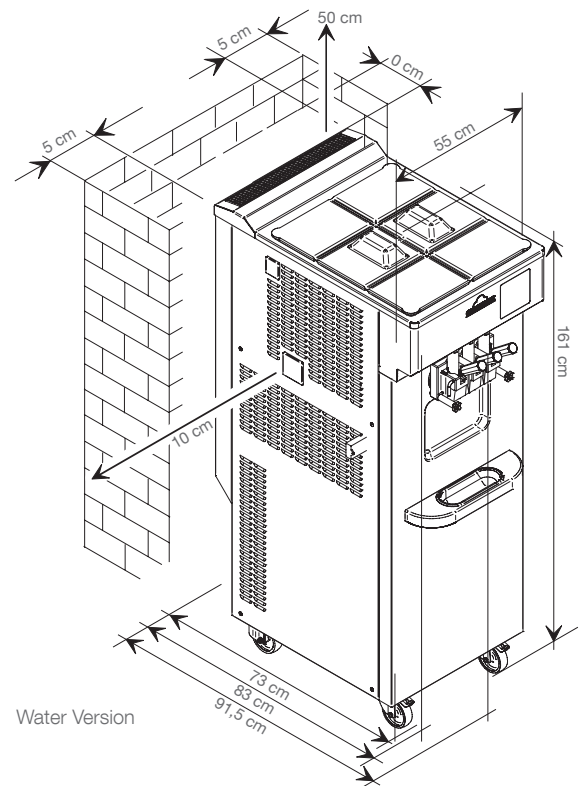
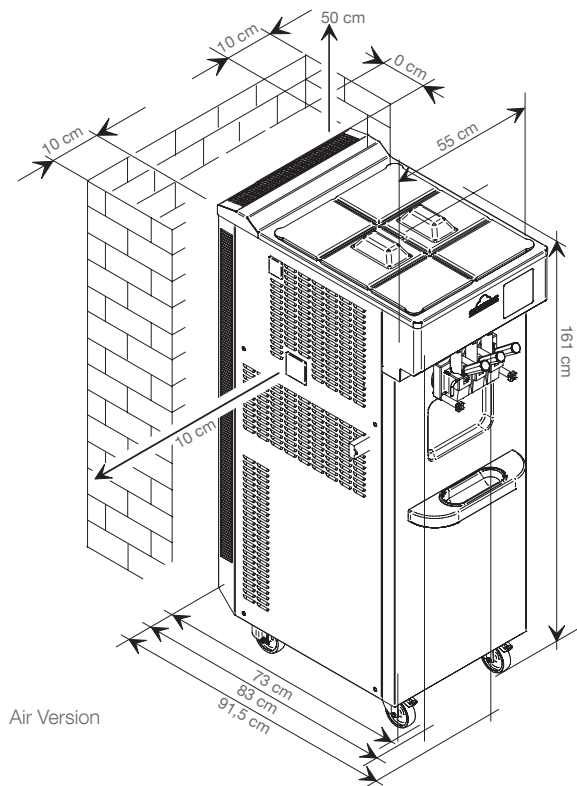
The customer can access the machine via computer, tablet or mobile device to remotely monitor operations. Teorema also facilitates the assistance service: Carpigiani technicians are alerted on the configuration parameters as if they were operating directly on the machine.



technical data - dimensions



Tre B AV EVO




Super Tre AV EVO

# Tre B - Super Tre

## AV EVO



		Flavours	Mix Delivery System	Hourly production <i>(75gr portions)</i>	Tank Capacity <i>lt</i>	Cylinder Capacity <i>lt</i>	Rated Power Input <i>kW</i>	Fuse Size <i>A</i>	Power Supply <i>Volt Hz Ph</i>	Cooling System	Refrigerant	Net Weight <i>kg</i>	
	Tre B AV EVO	P	2+1	Pump	480*	10+10	1,35	2,7	10	400/50/3**	Air, water optional	R452***	250
	Super Tre AV EVO	P	2+1	Pump	650*	11+11	1,75	5	16	400/50/3**	Air, water optional	R452***	280
	Super Tre AV EVO	G		Gravity	580*	16+16							

\*production capacity depends on the mix used and the room temperature \*\*other voltages and cycles available upon request

\*\*\*alternative solutions available.

Tre B AV EVO and Super Tre B AV EVO are produced by Carpigiani with UNI EN ISO 9001 Certified Quality System.

All specifications mentioned must be considered approximate; Carpigiani reserves the right to modify, without notice, all parts deemed necessary.



Via Emilia, 45 - 40011 Anzola dell'Emilia - BOLOGNA, Italy - T. +39 051 6505111 - info@carpigiani.it

an Ali Group Company



The Spirit of Excellence